

Sichem<sup>®</sup> seal



**PLANICHEM**  
SICHEM SOLUTIONS

# PTFE seals

for the pharmaceutical  
and food processing industries





Planichem is an Italian manufacturing company specialised in the processing of PTFE, graphite and all the main asbestos-free materials used for the production of gasketing materials, gaskets and semi finished products of high technical value.

The company's current structure has resulted from progressive developments over the years which have led to the engineering of unique processing and manufacturing methods.

Planichem manufactures leading-edge products and innovative solutions which are protected by international patents.

Planichem's underlying goal is to provide the best quality, as certified by all major independent examination institutes.

Our products are our best guarantee suitable for all types of customers and applications, both standard and critical.

For a detailed list of approvals, please visit the dedicated area on our website [www.planichem.com](http://www.planichem.com)

SICHEM® seals are specifically designed to withstand the demanding applications of the pharmaceutical and food processing industries.

SICHEM® seals are developed for processes ranging from cryogenic temperature up to +260°C and are suitable across the entire range of aggressive media. SICHEM® seals offer outstanding performances in terms of dimension stability, temperature and media resistance and sealing.

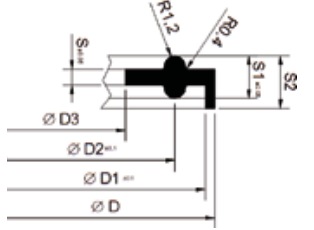
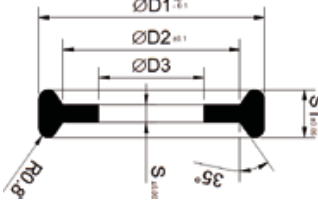
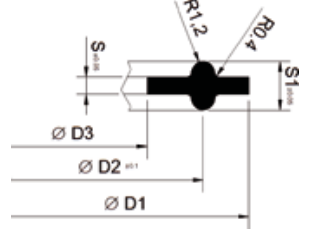
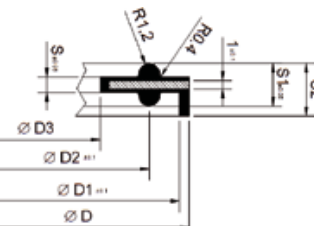
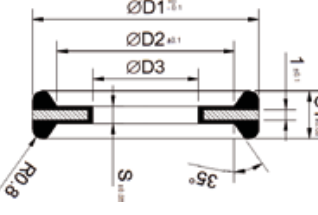
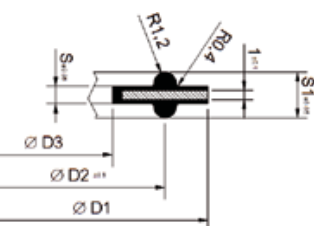
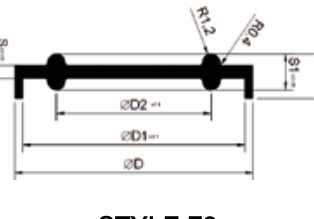
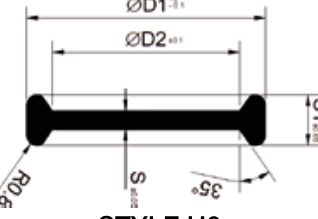
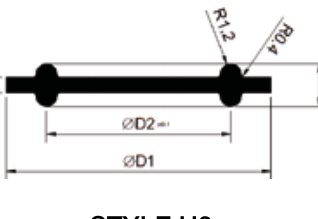
In compliance with:

USP Class VI  
EN 1935/2004  
FDA  
3-A, 20-27

# SICHEM<sup>®</sup> seals for TRI-CLAMP connection

## TYPE 2 FLANGED

## TYPE 1 UNFLANGED

 <p><b>STYLE F1</b></p>	 <p><b>STYLE U4</b></p>	 <p><b>STYLE U1</b></p>
 <p><b>STYLE F2</b></p>	 <p><b>STYLE U5</b></p>	 <p><b>STYLE U2</b></p>
 <p><b>STYLE F3</b></p>	 <p><b>STYLE U6</b></p>	 <p><b>STYLE U3</b></p>

SICHEM<sup>®</sup> seals offer the best technical solution for all TRI-CLAMP standards, the most common connection in the pharmaceutical and food processing industries. Produced with modified and restructured ptfe, SICHEM<sup>®</sup> seals show excellent mechanical properties: no extrusion and no cold flow and a high resistance to almost all chemicals. This allow SICHEM<sup>®</sup> seals to be safely used in all the cleaning and sterilizing processes.

### PSW

Virgin premium grade ptfe based, medical grade according to USP Class VI. Also available with different elastomers insert.

### PSB

Microstructured, reinforced Modified PTFE hollow glass microspheres filled. The homogenous distribution of hollow glass microspheres offers uniform density and a high adaptability.

### PSG

Special blend of PTFE and 316 passivated stainless steel. Tested and proven to add stability and longevity to your process piping systems. Specifically designed for steam applications.

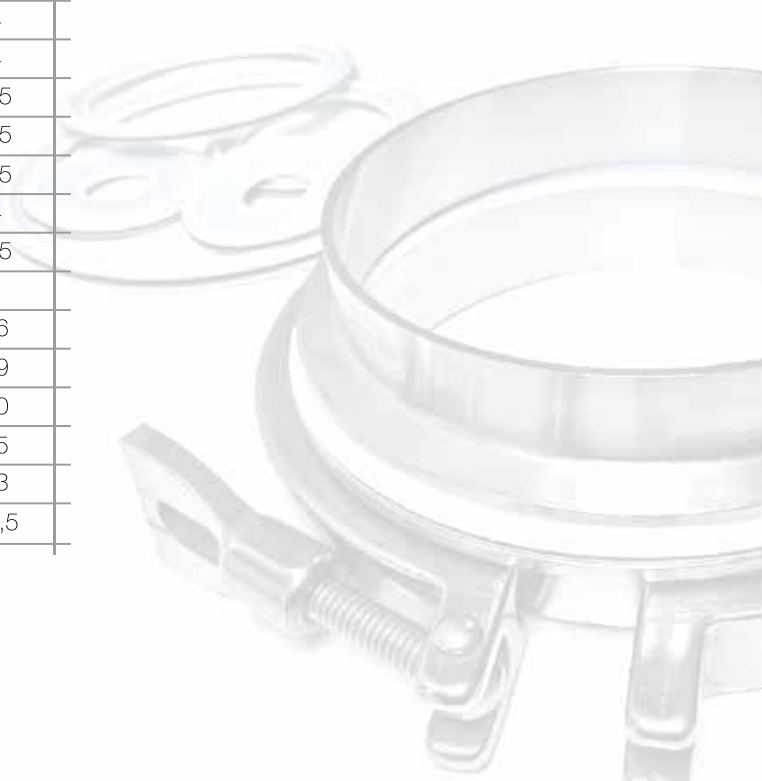
**DIN 32676**

<b>DIN 11850</b>			<b>ISO 1127</b>			<b>ASME BPE-2009</b>		
(DIN 11866 Series A)			(DIN 11866 Series B)			(DIN 11866 Series C)		
<b>DN</b>	<b>ØD3</b>	<b>ØD1</b>	<b>DN</b>	<b>ØD3</b>	<b>ØD1</b>	<b>DN</b>	<b>ØD3</b>	<b>ØD1</b>
6 <small>U4-U5-U6</small>	6,2	21,8	10,2 <small>U4-U5-U6</small>	on request		1/4" <small>U4-U5-U6</small>	4,8	21,8
8 <small>U4-U5-U6</small>	6,2	21,8	13,5 <small>U4-U5-U6</small>	10,5	21,8	3/8" <small>U4-U5-U6</small>	8	21,8
10	10,2	34	17,2 <small>U4-U5-U6</small>	14,2	21,8	1/2" <small>U4-U5-U6</small>	9,6	21,8
15	16,2	34	21,3	18,3	50,5	3/4" <small>U4-U5-U6</small>	16	21,8
20	20,2	34	26,9	23,9	50,5	1" <small>U4-U5-U6</small>	22,3	31,1
25	26,2	50,5	33,7	29,9	50,5	1"	22,3	50,5
32	32,2	50,5	42,4	38,6	64	1 1/2"	35	50,5
40	38,2	50,5	48,3	44,5	64	2"	47,7	64
50	50,2	64	60,3	56,5	77,5	2 1/2"	60,4	77,5
65	66,2	91	76,1	72,3	91	3"	73,1	91
80	81,2	106	88,9	84,5	106	4"	97,6	119
100	100,2	119	114,3	109,9	130	6"	147,1	167
125	125,2	155	139,7	134,7	155			
150	150,2	183	168,3	163,3	183			
200	200,2	233,5	219,1	214,1	233,5			

**ISO 2852**

**SMS 3019**

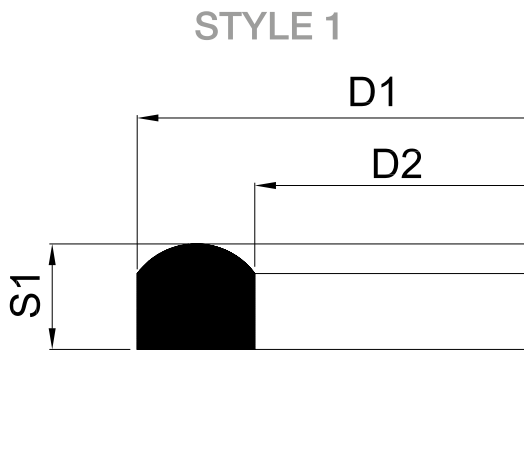
<b>DN</b>	<b>ØD3</b>	<b>ØD1</b>	<b>DN</b>	<b>ØD3</b>	<b>ØD1</b>
12	10,2	34	12	10	34
12,7	10,9	34	18	16,2	34
17,2	15,4	34	25	22,8	50,5
21,3	19,5	34	33,7	31,5	50,5
25	22,8	50,5	38	35,8	50,5
33,7	31,5	50,5	51	48,8	64
38	35,8	50,5	63,5	60,5	77,5
40	37,8	64	76,1	73,1	91
51	48,8	64	88,9	85,1	106
63,5	60,6	77,5	101,6	97,8	119
70	67	91	114,3	110,5	130
76,1	73,1	91	139,7	135,9	155
88,9	85,1	106	168,3	163,3	183
101,6	97,8	119	209,1	214,1	233,5
114,3	110,5	130			
139,7	135,9	155			
168,3	163,3	183			
219,1	214,1	233,5			



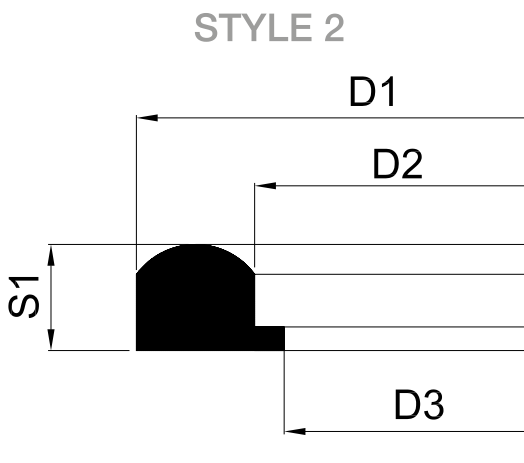
# SICHEM®

seals for couplings and flange connections

Dimensions for diary screw couplings in accordance with DIN 11851 and SMS 1149



DIN 11851, STYLE 1 WITHOUT INNER COLLAR			DIN 11851, STYLE 2 WITH INNER COLLAR		
DN	ØD3	ØD1	ØD3	ØD2	ØD1
10	12	20	10,5	12	20
15	18	26	16,5	18	26
20	23	33	20,5	23	33
25	30	40	26,5	30	40
32	36	46	32,5	36	46
40	42	52	38,5	42	52
50	54	64	50,5	54	64
65	71	81	66,5	71	81
80	85	95	81,5	85	95
100	104	114	100,5	104	114
125	130	142	125	130	142
150	155	167	150	155	167



SMS 1149, STYLE 1 WITHOUT INNER COLLAR			SMS 1149, STYLE 2 WITH INNER COLLAR		
DN	ØD3	ØD1	ØD3	ØD2	ØD1
25	25	32	22,5	25	32
32	32	40			
38	38	48	35,5	38	48
51	51	61	48,5	51	61
63,5	63,5	73,5	60,5	63,5	73,5
76	76	86	72,5	76	86
89	89	101			
108	108	120			

# Our certifications

In order to offer the utmost reliability assurance, Planichem constantly invests in certifying its own solutions, through the main certification authorities and multinational customers.

For a detailed list of our approvals, please visit our dedicated area on [www.planichem.com](http://www.planichem.com)



All technical data is based on laboratory tests. Planichem reserves the right to modify the characteristics of its entire product range without obligation to anyone.



**PLANICHEM**  
SICHEM SOLUTIONS

PLANICHEM Srl  
Via Consolare 41/43  
25030 Zocco di Erbusco (BS) ITALY  
Tel. +39 030 7386033  
Fax. +39 030 7386035

[www.planichem.com](http://www.planichem.com)